

GasPoint

H₂S, CO, NH₃, HCN, NO₂, SO₂, O₂, Cl₂
Combustibles (Catalytic 0-100% LEL) or
Combustibles (IR 0-100% LEL)

BW
Technologies
by Honeywell

Gas Transmitter with Internal Alarm Relays



**One Transmitter
with interchangeable
electrochemical, infrared
and catalytic plug-in sensors**



FEATURES:

The GasPoint transmitter provides a 4-20 mA output signal that can be connected to any control system (DCS, PLC, etc.). With advanced sensor technology and microcontroller based operation, the GasPoint provides continuous monitoring of hazardous gases.

- △ The GasPoint transmitter can accept any GasPoint sensor type: electrochemical, catalytic or IR (infrared). All plug-in sensor assemblies are field-interchangeable.
- △ Full function sensor integrity test (auto) continuously advises gas sensing ability and life ended
- △ Non-intrusive, one-person calibration with auto zero and auto span
- △ Equipped with three 5-amp relay contacts—two gas alarm relays (low/high) and fault alarm. Field-selectable normally energized/de-energized and latching/non-latching alarm relay functions.
- △ Two backlit alphanumeric LCDs advise all environmental and gas hazard conditions as well as instrument and sensor status
- △ Remote toxic/oxygen sensors can be installed over 3,900 ft./ 1,100 m away; combustible sensors over 1,550 ft./475 m. Kit can be installed at any time.
- △ Alarm setpoints displayed on demand—simply press the external button
- △ Field programmable alarm levels
- △ Backlight (auto) in low light conditions and alarm
- △ Extensive fault diagnostics
- △ 2-way digital communication using MODBUS module

Fixed Gas Monitoring Systems

Ordering Information

GP-WD	Gas Transmitter with Combustible Catalytic Sensor
GP-IR-WD	Gas Transmitter with Combustible Infrared Sensor
GP-HD	Gas Transmitter with H ₂ S Sensor
GP-MD	Gas Transmitter with CO Sensor
GP-AD	Gas Transmitter with NH ₃ Sensor
GP-ZD	Gas Transmitter with HCN Sensor
GP-DD	Gas Transmitter with NO ₂ Sensor
GP-SD	Gas Transmitter with SO ₂ Sensor
GP-XD	Gas Transmitter with O ₂ Sensor
GP-CD	Gas Transmitter with Cl ₂ Sensor

Accessories and Spares

GP-POWER1	120-240 VAC Power Supply
GP-MBUS4	2-wire/4-wire MODBUS Communication Expansion Module
GP-SEP	Sensor Separation Kit
GP-1	Gas Transmitter
GP-SSPB	Stainless Steel Process Baffle
GP-SSCAL4	Stainless Steel GasPoint Splash Guard
GP-DUC-K1	Duct Mount Adaptor

Replacement Sensor Assemblies

SS-RH02.....H ₂ S	SS-RM02.....CO	SS-RA02.....NH ₃
SS-RZ02.....HCN	SS-RD02.....NO ₂	SS-RC02.....Cl ₂
SS-RS02.....SO ₂	SS-RX02.....O ₂	
SS-RW02.....Combustible Catalytic Sensor Assembly		
IR-RW03.....Combustible IR Sensor Assembly		

ISO
ISO9001:2000
Registered

www.gasmonitors.com

e-mail: info@gasmonitors.com

GasPoint

LEL, H₂S, CO, NH₃, HCN,
NO₂, SO₂, Cl₂ or O₂

4-20 mA Gas Transmitter

Display advises:

- △ Gas type monitored
- △ Continuous (%LEL, %v/v or ppm) readout of gas concentration
- △ Alarm level and type encountered - LOW/HIGH or FAULT
- △ When sensor has failed its automatic daily self-test
- △ "Sensor Replacement" and "Sensor Expired" indications
- △ When to apply gas during calibration

Special Features

Change gases monitored in the field at any time. The GasPoint Transmitter will recognize the sensor installed and test and reset itself to that sensor type.

No junction box connection required.

Daily sensor integrity test (auto) monitors sensor operation, length of time sensor has been in service and advises when sensor requires replacement.

GasPoint allows you to set or change calibration time and gas alarm setpoints in the field.

Select or modify the measuring range using a simple dipswitch.

The optional plug-in MODBUS expansion module provides an addressable communications interface (1-247).

BW
Technologies
by Honeywell

For further information:

1-888-749-8878	USA
1-800-663-4164	Canada
+44 (0)1295 700 300	Europe
+33 (0) 442 98 17 70	France
+971-4-8871766	Middle East
+61-3-9464-2770	Australia
+86 10 6786 7305	China
+65 6748 4915	South East Asia
+1-403-248-9226	Other Countries

Corporate Headquarters

2840 - 2 Avenue S.E.
Calgary, AB, Canada T2A 7X9
Phone: 1-403-248-9226
Fax: 1-403-273-3708

e-mail: info@gasmonitors.com
www.gasmonitors.com

BW1021-01-01-00-8.25x11-20070612-5124-7
© 2007 Honeywell International Ltd. All Rights Reserved.

SPECIFICATIONS

MONITOR:	3-wire, 4-20 mA gas transmitter with advanced microcontroller-based circuitry
Power Input:	12 to 32 volts DC
Output Current:	Normal Operation: Isolated linear 4-20 mA output Calibration Mode: Steady 3 mA (auto reset to normal operation) Fault Mode: 2 mA signal (and less)
Power Consumption:	Toxic Versions: 40 mA at 24 VDC
	Combustible Version: 100 mA at 24 VDC
	Relays: 50 mA per relay at 24 VDC
SENSORS:	Plug-in, smart sensors
Detection Type:	Combustible gases: catalytic or IR; Toxic gases and Oxygen: electrochemical
Self-Test:	Automatic daily self-test of sensor integrity and sensor life
Relative Humidity:	5 to 95% RH non-condensing
Drift:	Zero: <5% per year; Span: <10% per year

Gas Monitoring Specifications	Detectable Accuracy	LCD Increment	Temperature Range	Units	Programmed Measuring Ranges
Combustibles - Catalytic	1%	1	-40 to +90°C / -40 to +194°F	%LEL	0-100*
Combustibles - Infrared	1%	1	-40 to +70°C / -40 to +150°F	%LEL	0-100*
H ₂ S	0.25 ppm	1	-40 to +50°C / -40 to +122°F	ppm	0-20, 0-50, 0-100*, 0-500
CO	1 ppm	1	-20 to +50°C / -4 to +122°F	ppm	0-50, 0-100, 0-500*, 0-1,000
NH ₃	1 ppm	1	-10 to +50°C / +14 to +122°F	ppm	0-50*, 0-100, 0-500, 0-1,000
HCN	0.1 ppm	0.1	-20 to +50°C / -4 to +122°F	ppm	0-20.0*, 0-50.0, 0-100
NO ₂	0.1 ppm	0.1	-20 to +50°C / -4 to +122°F	ppm	0-50.0*, 0-10.0, 0-20.0, 0-99.9
SO ₂	1 ppm	1	-20 to +50°C / -4 to +122°F	ppm	0-100*, 0-50, 0-20, 0-10
O ₂	0.1%	0.1	-20 to +50°C / -4 to +122°F	%v/v	0-30.0%*
Cl ₂ **	0.1 ppm	0.1	-20 to +50°C / -4 to +122°F	ppm	0-5.0*, 0-10.0, 0-100.0

*Factory default setting

**Note: Cl₂ not rated for Class I, Div. 1

CALIBRATION: Non-intrusive, via pushbutton
Auto zero and auto span

DISPLAYS: Two backlit liquid crystal displays

LCD 1 3-digit continuous readout of the gas present (ppm, % LEL or %v/v)
LCD 2 Alphanumeric diagnostic status display

Alarm Setpoints: Two setpoints: user-selectable

RELAY CONTACTS: Three SPDT relays; 5 amps at 250 VAC

LOW/HIGH: Field selectable for normally energized/de-energized and latching/non-latching

FAULT: Normally energized and non-latching

Relay contacts not considered. (For ranges with relays see manual.)

TRANSMISSION RANGES:

Conductor Size		Toxic / Oxygen Sensors		Combustible Sensors	
22 AWG	0.64 mm	6,712 ft.	2,045 m	3,356 ft.	1,022 m
20 AWG	0.75 mm	10,953 ft.	3,253 m	5,336 ft.	1,626 m
18 AWG	1.0 mm	16,953 ft.	5,167 m	8,476 ft.	2,583 m

CONTROLS: Calibration: Non-intrusive via external pushbutton

Alarm Setpoints: Simple up/down pushbuttons with LCD readout of setpoints

PHYSICAL: Size: 6.8 x 7 x 4.3 inches / 17 x 17.8 x 10.8 cm (approx.)

Weight: 4.85 lb. / 2.2 kg (approx.)

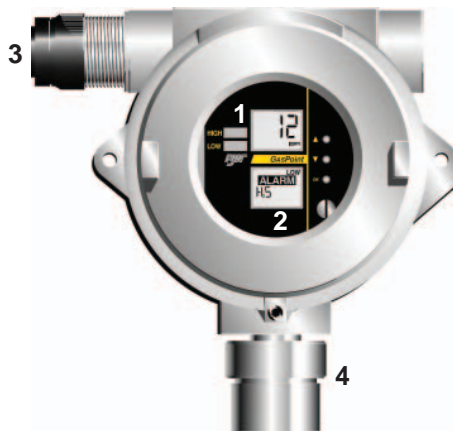
Transmitter: Nema 4, explosion-proof, anodized aluminum enclosure with mounting flanges

Sensor: Stainless steel enclosure

WARRANTY: Instrument: 2 years non-prorated; Sensor: 2 years full replacement warranty

DUE TO ONGOING RESEARCH AND PRODUCT IMPROVEMENT, SPECIFICATIONS ARE SUBJECT TO CHANGE WITHOUT NOTICE.

RATINGS AND CERTIFICATIONS:  Class I, Div. 1, Groups B, C, D (LEL and IR models)
Class I, Div. 1, Groups B, C, D; Class II, Div. 1, Groups E, F, G (toxic models only)
Explosion-proof: ANSI/ISA: UL 1203; CSA: C22.2 No 30
Combustible Performance Standards: ANSI/ISA: ISA-S12.13; CSA: C22.2 No 152



- 1 Large, backlit LCD readout of gas concentration
- 2 Alphanumeric LCD showing transmitter STATUS and diagnostics
- 3 Non-intrusive calibration via simple pushbutton
- 4 Interchangeable sensor types: LEL (catalytic or IR), toxic gas or oxygen with common transmitter assembly
- 5 Three relays: two gas alarm relays, one fault relay

Locally distributed by: